

INSTALLATION MANUAL

IPKEYSAFE



EQUALITY ACT 2010 COMPLIANT



REAL-TIME
MANAGEMENT





CLOUD

24/7/365

www.baticonnect.com

IPKEYSAFE

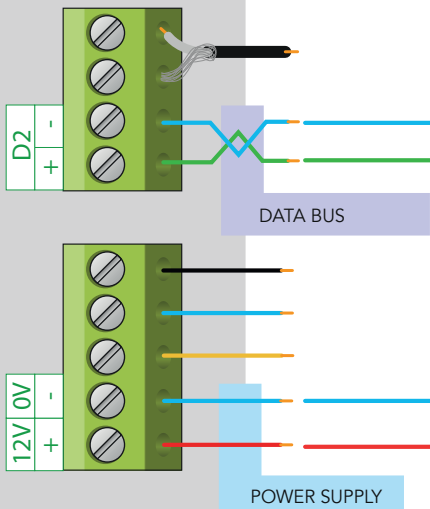
-  Data bus activity indicator LED: this indicator flashes during communications (transmission or reception) with the point GSM access and the batconnect server.
-  Operation indicator LED: the indicator must flash every second


RS485
Address

ON 1 2 3 4

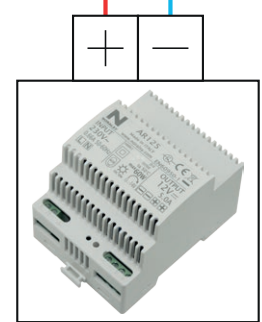
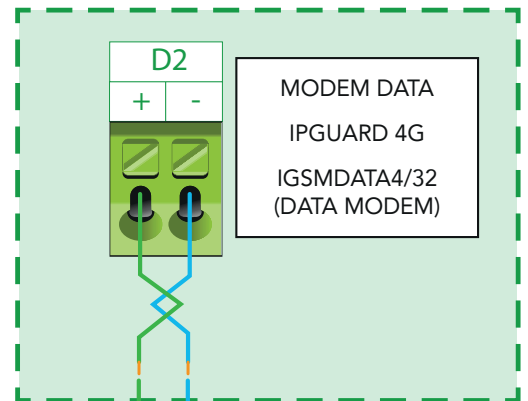
ON

RS485
Termination





-  Power indicator LED: the indicator must be permanently lit

GSM ACCESS POINT



**AR125
POWER SUPPLY**

 **Separate Power Supply for KEY-SAFE & GSM Access Point**

 **Only 1 KEYSAFE can be connected on the D2 BUS**

1. INSTALLATION CHECK

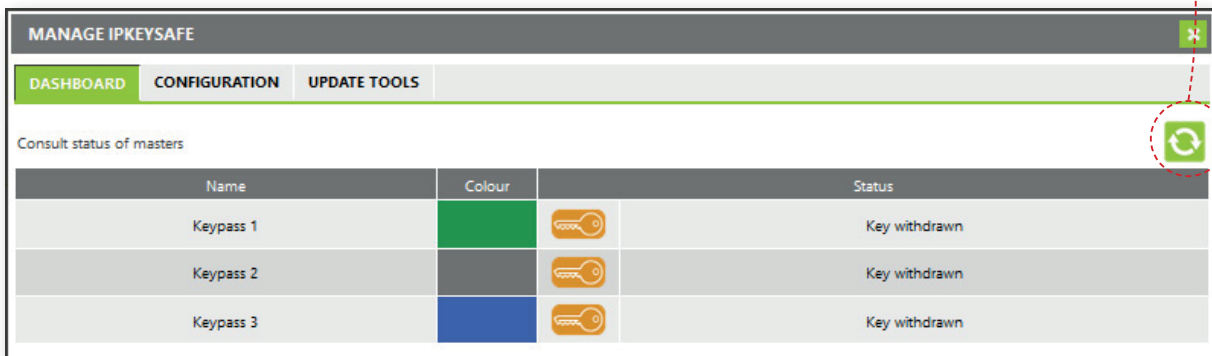
When installing the equipment, the indicator LEDs must be checked to ensure correct equipment operation.

- **Power indicator LED** : the indicator must be permanently lit
- **Operation indicator LED** : the indicator must flash every second
- **Data bus activity indicator LED** : the indicator flashes during communications (transmission or reception) with the point GSM access and the baticonnect server.

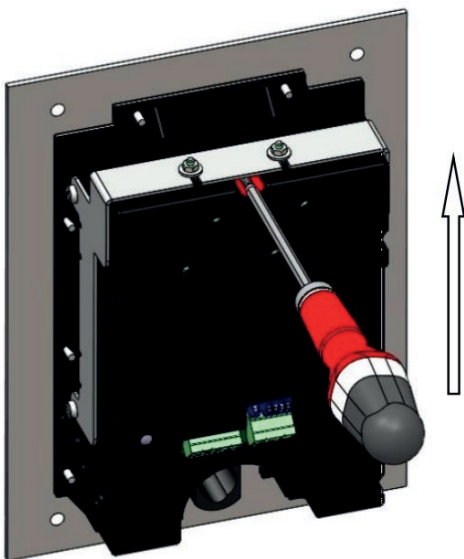
Check the declaration of the equipment on Baticonnect and the detection of keychains.
View keychain statuses. (Green display for indicating keypasses detection).

If the information received is not what was expected :

- ➔ Check the connection and power supply of the equipment.
- ➔ Check their declaration under Baticonnect.



Name	Colour	Status
Keypass 1	Green	Key withdrawn
Keypass 2	Grey	Key withdrawn
Keypass 3	Blue	Key withdrawn



No cables installed above the KEYSAFE!

2. OPENING THE KEYSAFE

Without authorized access (fob or telephone call), the opening of the IPKEYSAFE from the outside is not possible.

In the event of a malfunction (power outage, etc.), the IPKEYSAFE must be removed from its housing in order to be unlocked mechanically.

Opening is then possible by inserting a screwdriver to the rear of the housing.

Insert then tilt the screwdriver upwards to lift the metal hatch.

SPECIFICATIONS

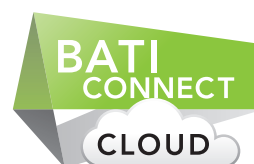


IPKEYSAFE	
REFERENCES	CBOX01-X3
MECHANICAL CHARACTERISTICS	
Dimensions of fascia (HxWxD)	220 x 160 x 2.5 mm
Dimensions of backbox (HxWxD)	205 x 142 x 60 mm
Material	Stainless steel
IP protection	IK09
ELECTRICAL CHARACTERISTICS	
Voltage	12-24VDC
Consumption	Standby 300mA / Opening 2A
Connection	Link via data bus to GSM access point
Operating temperature	Operating -20°C to 65°C / Storage -40°C to 85°C
FEATURES	
Methods of opening	By fob, or call to GSM modem, or code with IPGUARD or Portacode
Key capacity	3 key rings. Maximum key size 120mm
Access to buildings using keyfob	Yes
Alarm types	Audio outputs and real-time messages/alert sending. Alarms for: Keysafe open, Break-in, Keychain not authorized.
Programming	www.baticonnect.com available 24/7/365
Key tracking	www.baticonnect.com available 24/7/365



08000 156496
 sales@ipdooreentry.co.uk
 www.ipdooreentry.co.uk
 f ipdooreentry

IP Door Entry Limited
 Unit DC4 Prologis Park
 Eastman Way
 Hemel Hempstead
 HP2 7DU



24/7/365
www.baticonnect.com